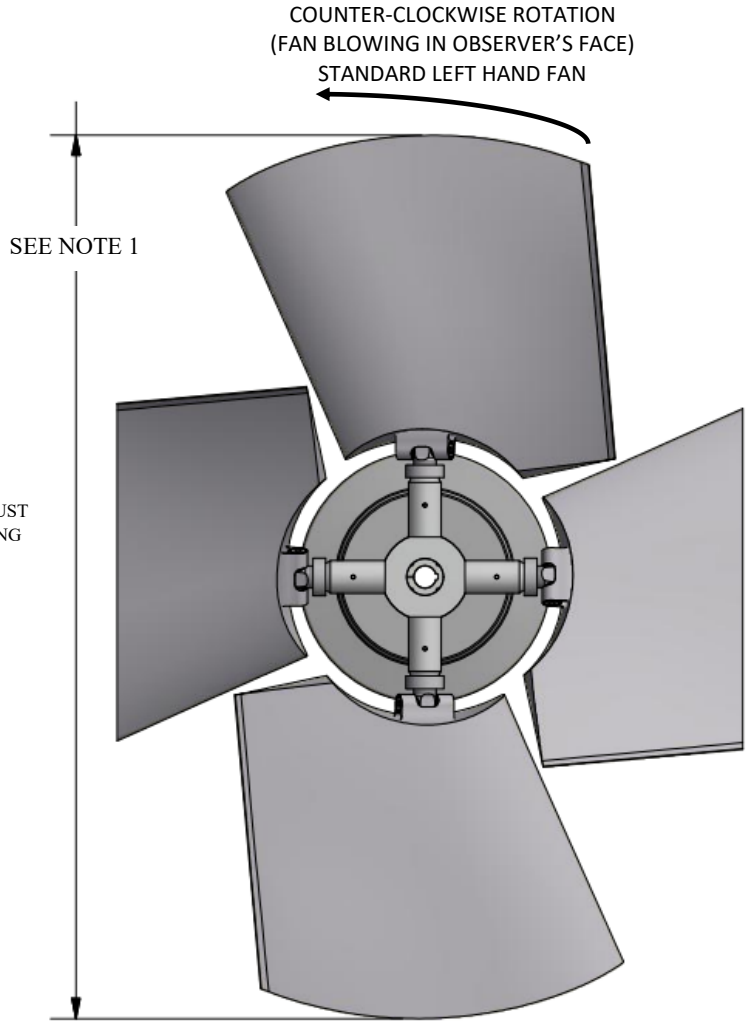
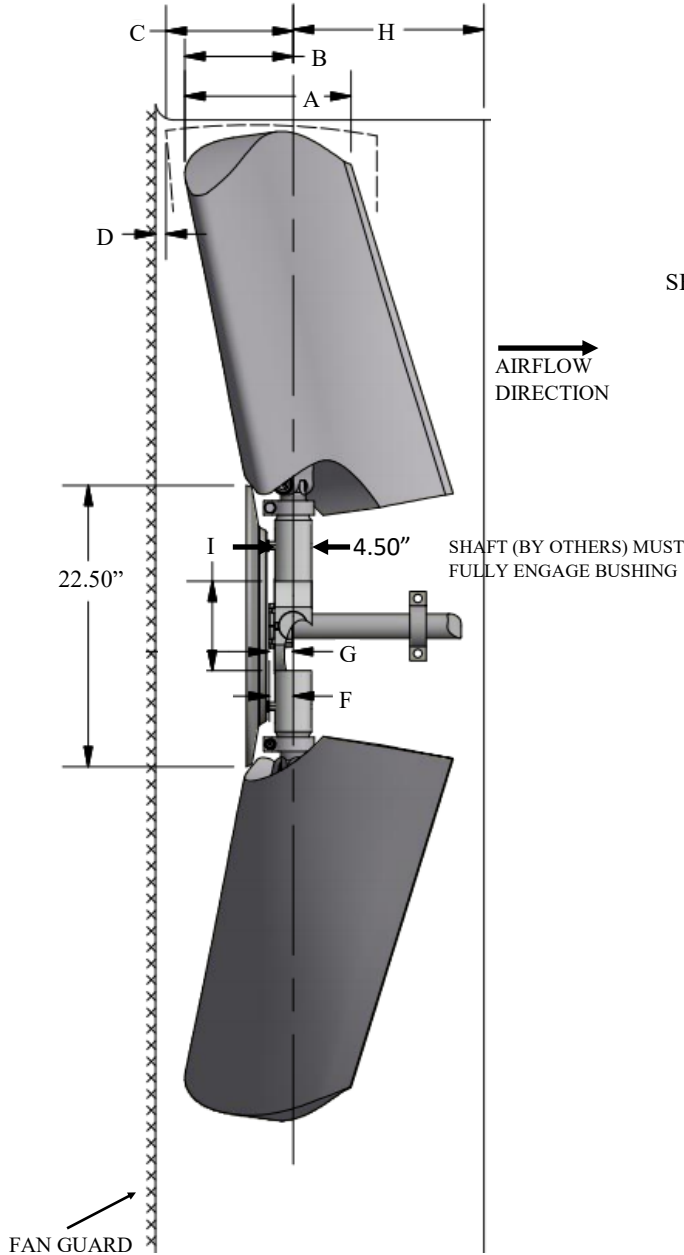


CLASS 10000 MAG SERIES 24

9FT DIAMETER FAN, LH ROTATION



NOTE 1:
 MAXIMUM FAN DIAMETER EQUALS NOMINAL FAN DIAMETER.
 ADJUSTMENT OF ±1.5 INCHES POSSIBLE AT INSTALLATION

BUSHING AND/OR AIR SEAL
 CAN BE INSTALLED ON INLET
 OR OUTLET SIDE OF FAN

- A = BLADE TIP THICKNESS @ 19° BLADE ANGLE
- B = RUNNING POSITION OF BLADES
- C = MAXIMUM DROOP POSITION OF BLADES
- D = MINIMUM OBSTACLE CLEARANCE AT INLET
- F = CENTERLINE OF FAN TO BASE OF BUSHING
- G = BUSHING OVERALL HEIGHT
- H = MINIMUM OBSTACLE CLEARANCE AT OUTLET
- I = NOMINAL MECHANICAL HUB DIAMETER
- L = MAX . BUSHING TORQUE FT. LBS.
- # = WITH S.A.E. STANDARD SQUARE KEYWAY
- * = WITH SHALLOW KEYWAY IN BUSHING
- o = MAX METRIC BORE WITH STANDARD KEYWAY

WITH FAN OPERATING AT
 10000 FT/MINUTE BLADE TIP SPEED

PERCENT BLADE
 LOADING

100% 75%

DIA	A	PERCENT BLADE LOADING		C	D	H
		100%	75%			
9.0'	21.5"	10.3"	9.7"	12.1"	6"	23.1"

MAX BLADES	BUSHING TYPE	MAX # BORE	MAX * BORE	MAX o BORE	I	F	G	L
4	U	2.75"	2.938"	75	12"	2.9"	2.7"	4000